



# TIEMME

## VALVOLE RADIATORI TERMOSTATIZZABILI E DETENTORI RADIATOR VALVES WITH THERMOSTATIC OPTION AND LOCKSHIELDS

### Art. 3300-3330

Valvole termostattizzabili pre-settabili.  
Disponibili con volantino manuale di regolazione o  
tappo cantiere.

*Pre-settable thermostatic valves supplied with  
manual handwheel or protection cap.*

Le valvole della Serie 3300 permettono di controllare individualmente la temperatura della stanza consentendo un evidente risparmio energetico, inoltre sono silenziose e disponibili per medie e grosse portate.

Le valvole sono fornite con volantino manuale di regolazione ma con semplici operazioni è possibile installare la testina termostatica con elemento sensibile a liquido Art. 9557.

Le valvole sono disponibili anche con o-ring di pre-tenuta sul codolo.

*The valves Serie 3300 individually control rooms temperature and thus save energy; have quiet operation and are fitted to the supply of radiators on two-pipe system with medium and large flow rates.*

*The valves are supplied with a fully operational handwheel for manual operation of the valve but can be easily replaced with the thermostatic head built-in liquid filled sensible element Art. 9557.*

*Valves are also available with o-ring on tail piece.*



Per la gamma completa vedere il catalogo / For complete range see catalogue



Certificazioni / Certifications



#### Caratteristiche Tecniche

Temperatura max di esercizio: 110°C  
Pressione max di esercizio: 10 bar  
Pressione differenziale: Max. 1 bar  
Max. 0,25 bar (Raccomandata per un' operatività silenziosa)  
Valore pH: 8÷9,5  
Valore Kvs: Vedi tabella  
Filetto testina termostatica: M30x1,5  
Utilizzo: Acqua per impianti di riscaldamento

#### Technical Features

Maximum operating temperature: 110°C  
Maximum operating pressure: 10 bar  
Differential pressure: Max. 1 bar  
Max. 0,25 bar (Recommended for quiet operation)  
pH value: 8÷9,5  
Kvs value: See table  
Thermostat thread: M30x1,5  
Medium: Heating water

Descrizione	Materiale	Trattamento	Description	Material	Treatment
Corpo	Ottone CW617N - EN12165	Nichelato/cromato	Body	CW617N-EN12165 brass	Nickel/chrome plated
Dado e codolo	Ottone CW617N - EN12165	Nichelato/cromato	Nut and tail piece	CW617N-EN12165 brass	Nickel/chrome plated
Elemento interno	Ottone CW617N - EN12164 e guarnizioni in EPDM	-	Insert	CW617N-EN12164 brass and EPDM seat-sealing	-
Volantino manuale	ABS bianco RAL9010	Bianco/Cromato	Handwheel	ABS white RAL9010	White/chrome plated
Tappo detentore	Ottone CW617N - EN12165	Nichelato/cromato	Cap lockshield	CW617N-EN12165 brass	Nickel/chrome plated
Guarnizioni	Gomma etilene-propilene EPDM	-	O-rings	Ethylene-propylene rubber EPDM	-

TIEMME Raccorderie S.p.A. si riserva di apportare modifiche in qualsiasi momento senza preavviso.  
TIEMME Raccorderie S.p.A. reserves the right to modify contents many time without prior advise.  
È vietata qualsiasi forma di riproduzione, se non autorizzata.  
Is forbidden any reproduction unless under TIEMME authorization



TIEMME Raccorderie S.p.A.  
Via Cavallera 6/A (Loc. Barco) - 25045 Castegnato (Bs) - Italy  
Tel +39 030 2142211 R.A. - Fax +39 030 2142206  
info@tiemme.com - www.tiemme.com  
©TIEMME Raccorderie S.p.A. 3300-3330 Rev. M 10-16



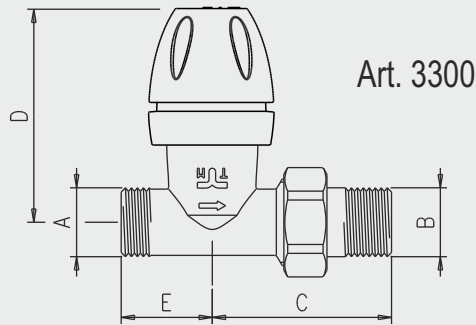


# TIEMME

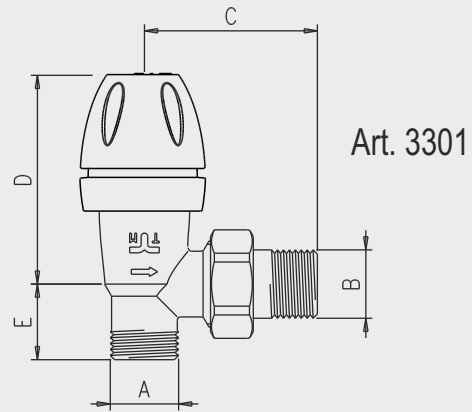
## VALVOLE RADIATORI TERMOSTATIZZABILI E DETENTORI RADIATOR VALVES WITH THERMOSTATIC OPTION AND LOCKSHIELDS

### Art. 3300-3330

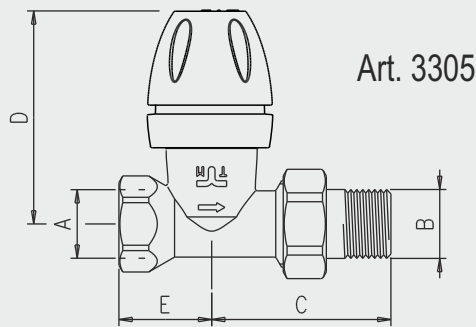
### Dimensioni Dimensions



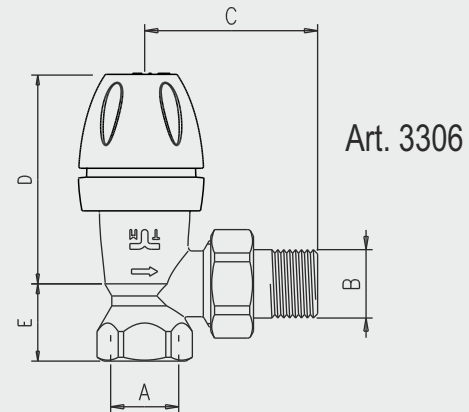
Art. 3300



Art. 3301



Art. 3305



Art. 3306

Articolo Article	DN	Kvs	Dimensioni / Dimensions (mm)					Codice Code
			A	B	C	D	E	
3300	10	1,20	1/2"x16	G 3/8"	54,0	64,0	27,5	3300058
	15	1,47	1/2"x16	G 1/2"	56,0		27,5	3300032
	10	1,20	3/4"x18	G 3/8"	54,0		28,0	3300079
	15	1,47	3/4"x18	G 1/2"	56,0		28,0	3300065
	15	1,47	24x19fil	G 1/2"	56,0		25,5	3300095
3301	10	1,90	1/2"x16	G 3/8"	52,0	56,5	23,0	3300017
	15	2,30	1/2"x16	G 1/2"	54,0		23,0	3300002
	10	1,90	3/4"x18	G 3/8"	52,0		23,5	3300066
	15	2,30	3/4"x18	G 1/2"	54,0		23,5	3300046
	15	2,30	24x19fil	G 1/2"	54,0		21,0	3300097
3305	10	1,20	G 3/8"	G 3/8"	54,0	64,0	28,0	3300050
	15	1,47	G 1/2"	G 1/2"	56,0		28,0	3300013
	20	2,20	G 3/4"	G 3/4"	60,0		35,0	3300015
3306	10	1,90	G 3/8"	G 3/8"	52,0	58,0	23,5	3300023
	15	2,30	G 1/2"	G 1/2"	54,0		23,5	3300005
	20	2,60	G 3/4"	G 3/4"	60,0		26,0	3300022

TIEMME Raccorderie S.p.A. si riserva di apportare modifiche in qualsiasi momento senza preavviso.  
TIEMME Raccorderie S.p.A. reserves the right to modify contents many time without prior advise.  
È vietata qualsiasi forma di riproduzione, se non autorizzata.  
Is forbidden any reproduction unless under TIEMME authorization



TIEMME Raccorderie S.p.A.  
Via Cavallera 6/A (Loc. Barco) - 25045 Castegnato (Bs) - Italy  
Tel +39 030 2142211 R.A. - Fax +39 030 2142206  
info@tiemme.com - www.tiemme.com



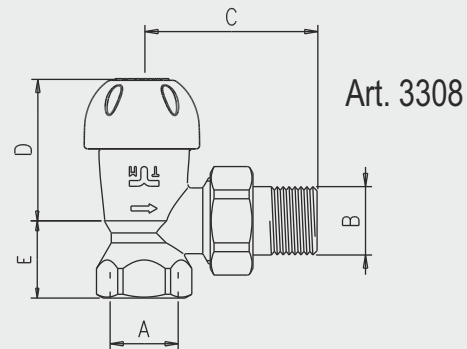
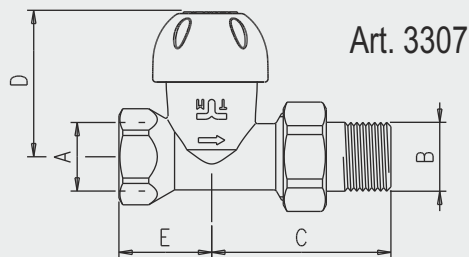
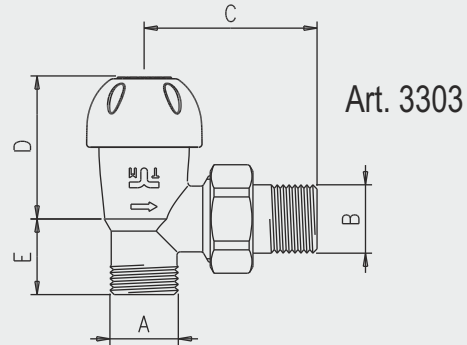
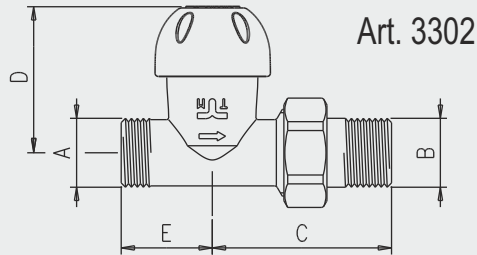


# TIEMME

## VALVOLE RADIATORI TERMOSTATIZZABILI E DETENTORI RADIATOR VALVES WITH THERMOSTATIC OPTION AND LOCKSHIELDS

### Art. 3300-3330

Dimensioni  
Dimensions



Articolo Article	DN	Kvs	A	Dimensioni / Dimensions (mm)			D	E	Codice Code
				B	C				
3302	10	1,20	1/2"x16	G 3/8"	54,0	46,0	28,0	3300070	
	15	1,47	1/2"x16	G 1/2"	56,0			3300034	
	10	1,20	3/4"x18	G 3/8"	54,0			3300080	
	15	1,47	3/4"x18	G 1/2"	56,0			3300073	
3303	10	1,90	1/2"x16	G 3/8"	52,0	40,0	23,0	3300019	
	15	2,30	1/2"x16	G 1/2"	54,0		23,0	3300006	
	10	1,90	3/4"x18	G 3/8"	52,0		23,5	3300067	
	15	2,30	3/4"x18	G 1/2"	54,0		23,5	3300038	
3307	10	1,20	G 3/8"	G 3/8"	54,0	46,0	28,0	3300047	
	15	1,47	G 1/2"	G 1/2"	56,0		28,0	3300012	
	20	2,20	G 3/4"	G 3/4"	60,0		35,0	3300007	
3308	10	1,90	G 3/8"	G 3/8"	52,0	40,0	23,5	3300031	
	15	2,30	G 1/2"	G 1/2"	54,0		23,5	3300001	
	20	2,60	G 3/4"	G 3/4"	60,0		26,0	3300027	

TIEMME Raccorderie S.p.A. si riserva di apportare modifiche in qualsiasi momento senza preavviso.  
TIEMME Raccorderie S.p.A. reserves the right to modify contents many time without prior advise.  
È vietata qualsiasi forma di riproduzione, se non autorizzata.  
Is forbidden any reproduction unless under TIEMME authorization



TIEMME Raccorderie S.p.A.  
Via Cavallera 6/A (Loc. Barco) - 25045 Castegnato (Bs) - Italy  
Tel +39 030 2142211 R.A. - Fax +39 030 2142206  
info@tiemme.com - www.tiemme.com



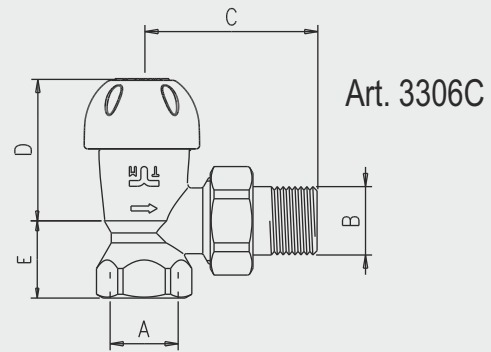
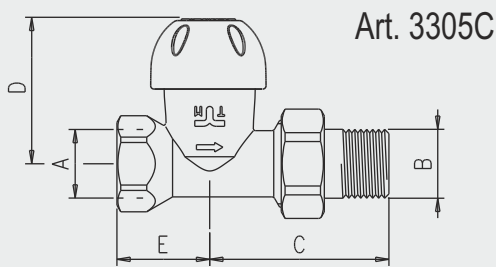
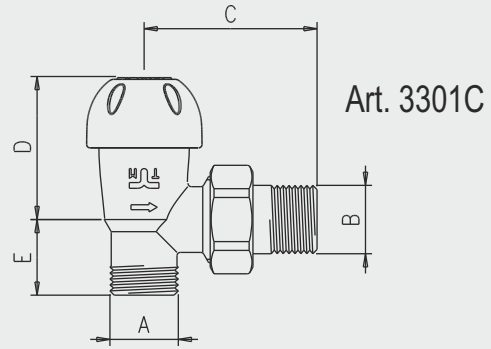
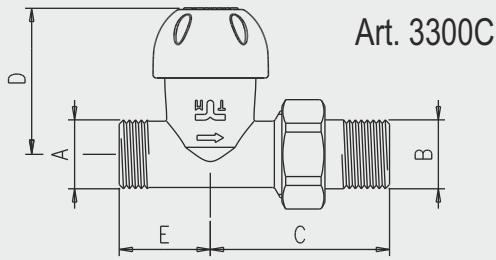


# TIEMME

## VALVOLE RADIATORI TERMOSTATIZZABILI E DETENTORI RADIATOR VALVES WITH THERMOSTATIC OPTION AND LOCKSHIELDS

### Art. 3300-3330

### Dimensioni Dimensions



Articolo Article	DN	Kvs	A	Dimensioni / Dimensions (mm)					Codice Code
				B	C	D	E		
3300C	10	1,20	1/2"x16	G 3/8"	54,0	46,0	28,0	3300059	
	15	1,47	1/2"x16	G 1/2"	56,0			3300041	
3301C	10	1,90	1/2"x16	G 3/8"	52,0	40,0	23,0	3300042	
	15	2,30	1/2"x16	G 1/2"	54,0		23,0	3300009	
3305C	10	1,20	G 3/8"	G 3/8"	54,0	46,0	28,0	3300060	
	15	1,47	G 1/2"	G 1/2"	56,0		28,0	3300025	
3306C	10	1,90	G 3/8"	G 3/8"	52,0	40,0	23,5	3300061	
	15	2,30	G 1/2"	G 1/2"	54,0		23,5	3300016	

TIEMME Raccorderie S.p.A. si riserva di apportare modifiche in qualsiasi momento senza preavviso.  
TIEMME Raccorderie S.p.A. reserves the right to modify contents many time without prior advise.  
È vietata qualsiasi forma di riproduzione, se non autorizzata.  
Is forbidden any reproduction unless under TIEMME authorization



TIEMME Raccorderie S.p.A.  
Via Cavallera 6/A (Loc. Barco) - 25045 Castegnato (Bs) - Italy  
Tel +39 030 2142211 R.A. - Fax +39 030 2142206  
info@tiemme.com - www.tiemme.com



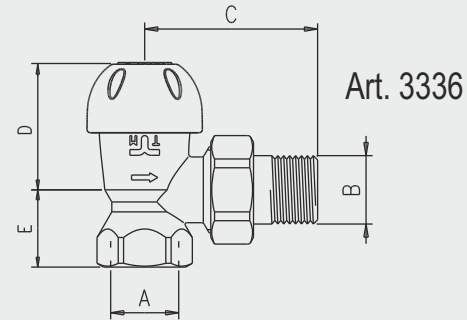
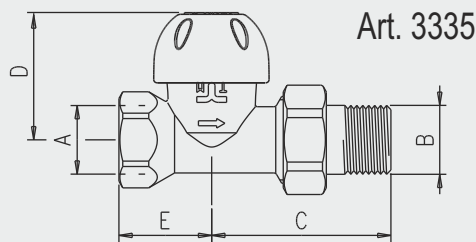
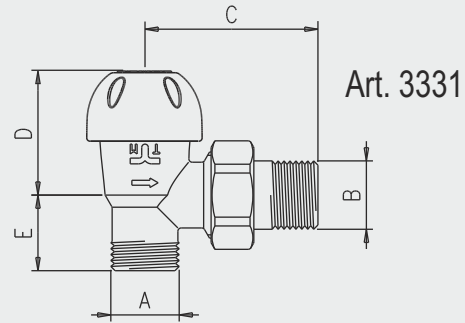
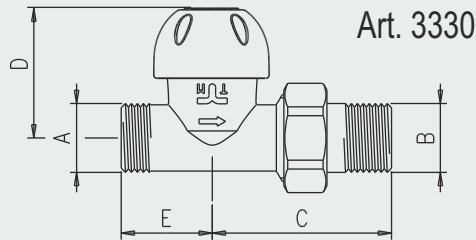


# TIEMME

## VALVOLE RADIATORI TERMOSTATIZZABILI E DETENTORI RADIATOR VALVES WITH THERMOSTATIC OPTION AND LOCKSHIELDS

### Art. 3300-3330

Dimensioni  
Dimensions



Articolo Article	DN	Kvs	Dimensioni / Dimensions (mm)					Codice Code
			A	B	C	D	E	
3330	10	1,32	1/2"x16	G 3/8"	54,0	42,0	27,5	3330032
	15	1,62	1/2"x16	G 1/2"	56,0		27,5	3330021
	10	1,32	3/4"x18	G 3/8"	54,0		28,0	3330038
	15	1,62	3/4"x18	G 1/2"	56,0		28,0	3330019
	15	1,62	24x19fil	G 1/2"	56,0		25,5	3330039
3331	10	2,10	1/2"x16	G 3/8"	52,0	36,5	23,0	3330007
	15	2,53	1/2"x16	G 1/2"	54,0		23,0	3330002
	10	2,10	3/4"x18	G 3/8"	52,0		23,5	3330033
	15	2,53	3/4"x18	G 1/2"	54,0		23,5	3330013
	15	2,53	24x19fil	G 1/2"	54,0		21,0	3330043
3335	10	1,32	G 3/8"	G 3/8"	54,0	42,0	28,0	3330027
	15	1,62	G 1/2"	G 1/2"	56,0		28,0	3330009
	20	2,42	G 3/4"	G 3/4"	60,0		35,0	3330004
3336	10	2,10	G 3/8"	G 3/8"	52,0	36,5	23,5	3330014
	15	2,53	G 1/2"	G 1/2"	54,0		23,5	3330006
	20	2,86	G 3/4"	G 3/4"	60,0		26,0	3330011

TIEMME Raccorderie S.p.A. si riserva di apportare modifiche in qualsiasi momento senza preavviso.  
TIEMME Raccorderie S.p.A. reserves the right to modify contents many time without prior advise.  
È vietata qualsiasi forma di riproduzione, se non autorizzata.  
Is forbidden any reproduction unless under TIEMME authorization



TIEMME Raccorderie S.p.A.  
Via Cavallera 6/A (Loc. Barco) - 25045 Castegnato (Bs) - Italy  
Tel +39 030 2142211 R.A. - Fax +39 030 2142206  
info@tiemme.com - www.tiemme.com



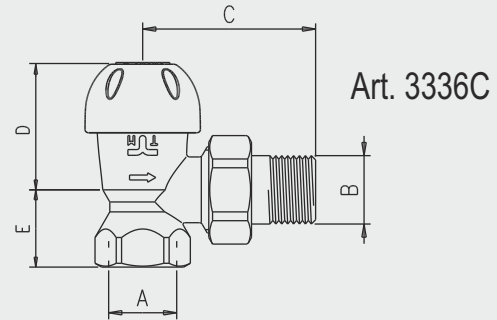
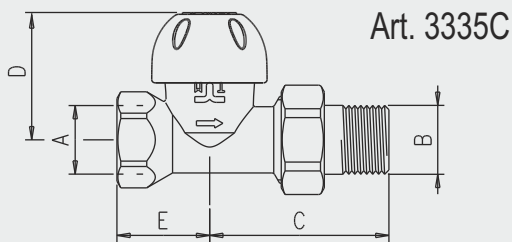
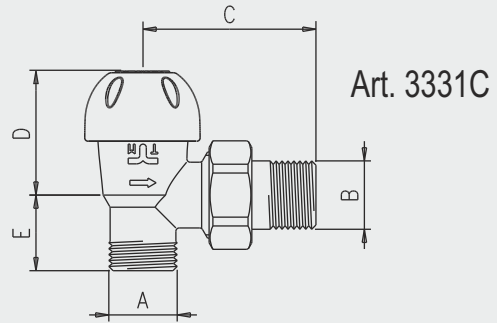
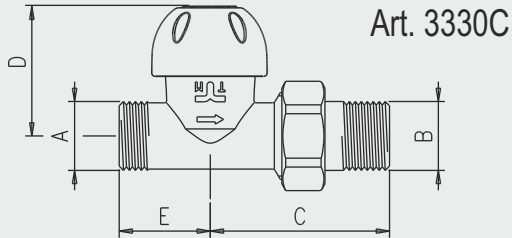


# TIEMME

## VALVOLE RADIATORI TERMOSTATIZZABILI E DETENTORI RADIATOR VALVES WITH THERMOSTATIC OPTION AND LOCKSHIELDS

### Art. 3300-3330

Dimensioni  
Dimensions



Articolo Article	DN	Kvs	Dimensioni / Dimensions (mm)					Codice Code
			A	B	C	D	E	
3330C	10	1,32	1/2"x16	G 3/8"	54,0	42,0	28,0	3330036
	15	1,62	1/2"x16	G 1/2"	56,0			3330018
3331C	10	2,10	1/2"x16	G 3/8"	52,0	36,5	23,0	3330016
	15	2,53	1/2"x16	G 1/2"	54,0			3330005
3335C	10	1,32	G 3/8"	G 3/8"	54,0	42,0	28,0	3330034
	15	1,62	G 1/2"	G 1/2"	56,0			3330012
3336C	10	2,10	G 3/8"	G 3/8"	52,0	36,5	23,5	3330035
	15	2,53	G 1/2"	G 1/2"	54,0			3330001

TIEMME Raccorderie S.p.A. si riserva di apportare modifiche in qualsiasi momento senza preavviso.  
 TIEMME Raccorderie S.p.A. reserves the right to modify contents many time without prior advise.  
 È vietata qualsiasi forma di riproduzione, se non autorizzata.  
 Is forbidden any reproduction unless under TIEMME authorization



TIEMME Raccorderie S.p.A.  
 Via Cavallera 6/A (Loc. Barco) - 25045 Castegnato (Bs) - Italy  
 Tel +39 030 2142211 R.A. - Fax +39 030 2142206  
 info@tiemme.com - www.tiemme.com





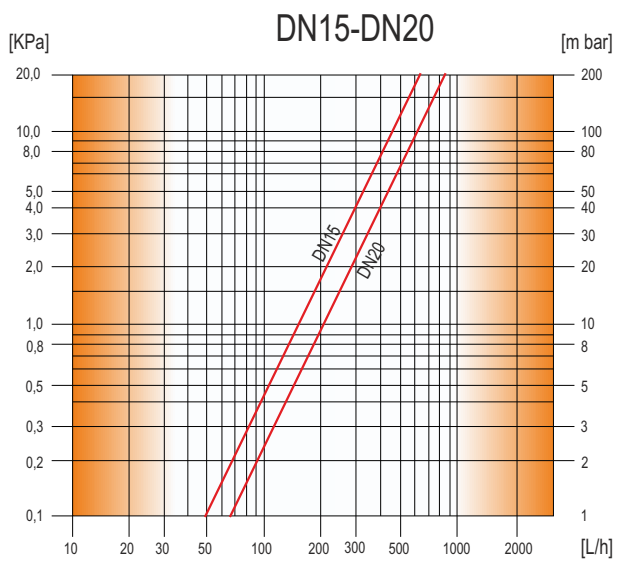
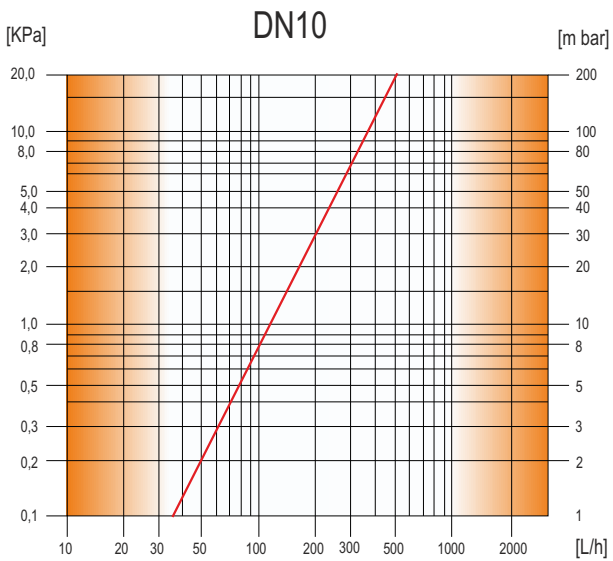
# TIEMME

## VALVOLE RADIATORI TERMOSTATIZZABILI E DETENTORI RADIATOR VALVES WITH THERMOSTATIC OPTION AND LOCKSHIELDS

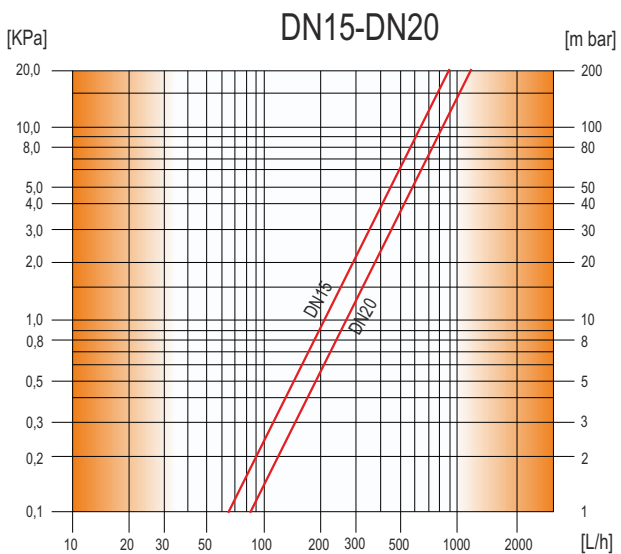
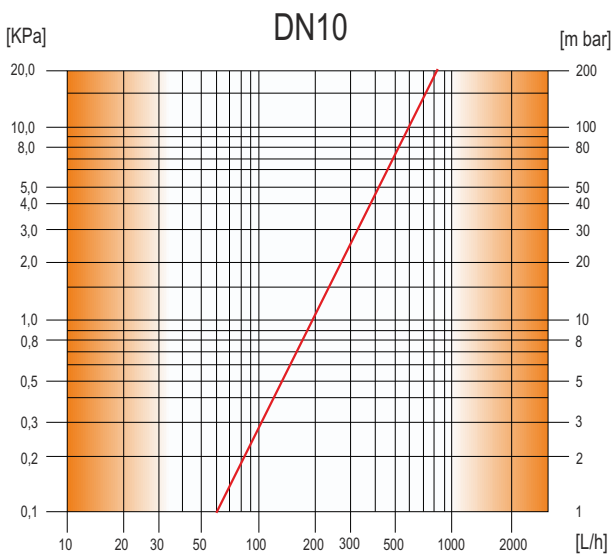
### Art. 3300-3330

### Diagrammi portata/perdita di carico Flow/pressure drop diagrams

#### Art. 3300, 3300C, 3302, 3305, 3305C e 3307



#### Art. 3301, 3301C, 3303, 3306, 3306C e 3308



TIEMME Raccorderie S.p.A. si riserva di apportare modifiche in qualsiasi momento senza preavviso.  
TIEMME Raccorderie S.p.A. reserves the right to modify contents many time without prior advise.  
È vietata qualsiasi forma di riproduzione, se non autorizzata.  
Is forbidden any reproduction unless under TIEMME authorization



TIEMME Raccorderie S.p.A.  
Via Cavallera 6/A (Loc. Barco) - 25045 Castegnato (Bs) - Italy  
Tel +39 030 2142211 R.A. - Fax +39 030 2142206  
info@tiemme.com - www.tiemme.com





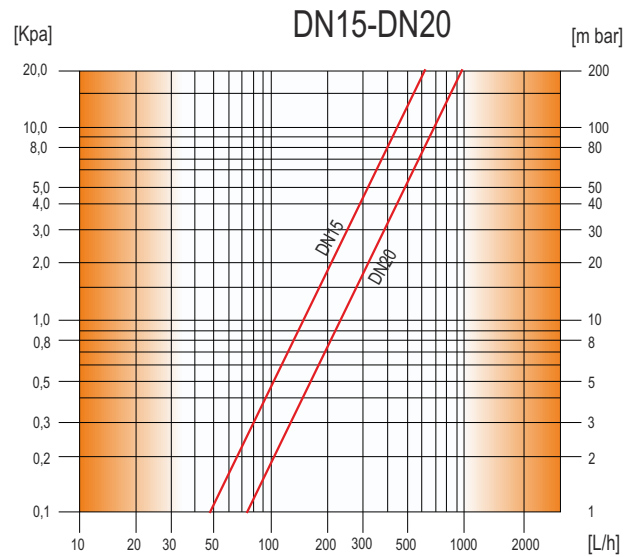
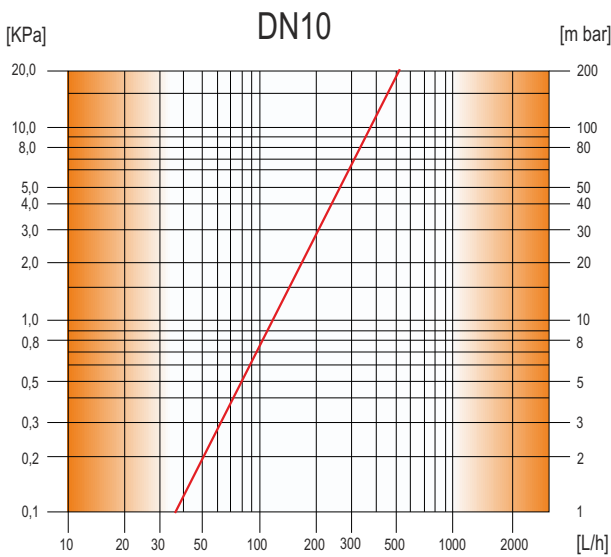
# TIEMME

## VALVOLE RADIATORI TERMOSTATIZZABILI E DETENTORI RADIATOR VALVES WITH THERMOSTATIC OPTION AND LOCKSHIELDS

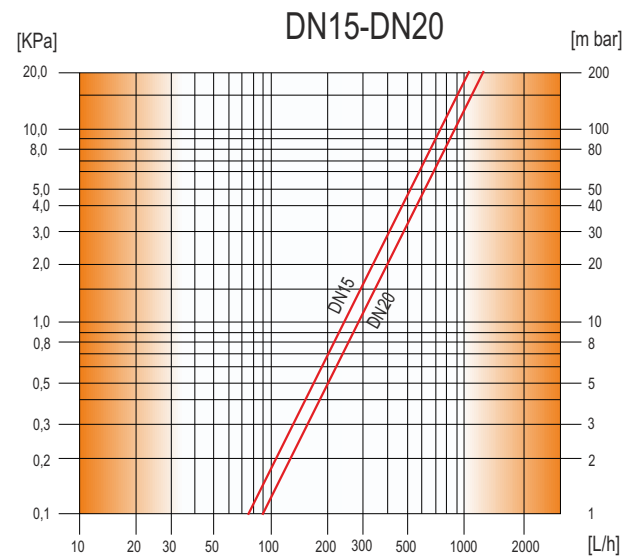
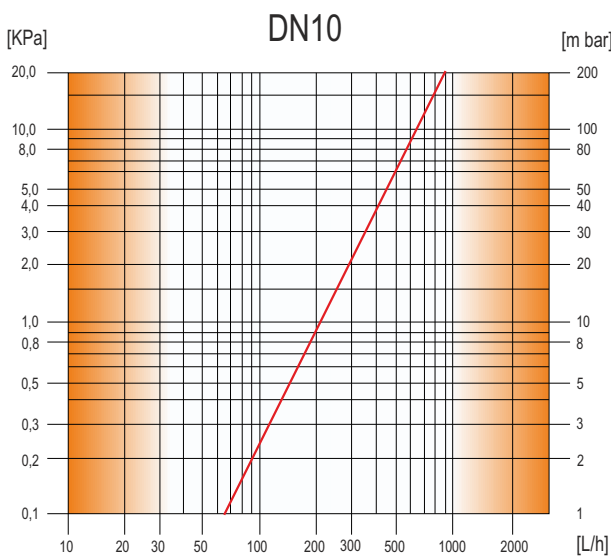
### Art. 3300-3330

### Diagrammi portata/perdita di carico Flow/pressure drop diagrams

#### Art. 3330, 3335, 3330C e 3335C



#### Art. 3331, 3336, 3331C e 3336C



TIEMME Raccorderie S.p.A. si riserva di apportare modifiche in qualsiasi momento senza preavviso.  
TIEMME Raccorderie S.p.A. reserves the right to modify contents many time without prior advise.  
È vietata qualsiasi forma di riproduzione, se non autorizzata.  
Is forbidden any reproduction unless under TIEMME authorization



TIEMME Raccorderie S.p.A.  
Via Cavallera 6/A (Loc. Barco) - 25045 Castegnato (Bs) - Italy  
Tel +39 030 2142211 R.A. - Fax +39 030 2142206  
info@tiemme.com - www.tiemme.com







# TIEMME

## VALVOLE RADIATORI TERMOSTATIZZABILI E DETENTORI RADIATOR VALVES WITH THERMOSTATIC OPTION AND LOCKSHIELDS

### Art. 3300-3330

### Accessori Accessories

Art. 1233N



Adattatori per tubo rame con ogiva in P.T.F.E.  
Adaptors for copper pipe with P.T.F.E. Ring

Art. 1235N



Adattatori per tubo rame con ogiva in P.T.F.E.  
Adaptors for copper pipe with P.T.F.E. Ring

Art. 1237N



Adattatori per tubo rame con ogiva in ottone  
Adaptors for copper pipe with brass Ring

Art. 1238N



Adattatori per tubo rame con ogiva in P.T.F.E.  
Adaptors for copper pipe with P.T.F.E. Ring

Art. 1240



Adattatori per tubo rame con ogiva in rame e guarnizione incorporate  
Adaptors for copper pipe with built-in brass ring and gasket

Art. 1243K



Adattatori per tubo rame con ogiva in rame e guarnizione incorporate  
Adaptors for copper pipe with built-in brass ring and gasket

Art. 1435N



Adattatori per tubo Pe-x  
Adaptors for Pe-x pipe

Art. 1433K



Adattatori per tubo Pe-x  
Adaptors for Pe-x pipe

Art. 1635



Adattatori per tubo multistrato  
Adaptors for multilayer pipe

Art. 1633K



Adattatori per tubo multistrato  
Adaptors for multilayer pipe

Art. 3345N



Adattatori per tubo rame con allaccio ferro G1/2"  
Adaptors for copper pipe with g1/2" iron pipe connection

Art. 3338



Bocchetto con guarnizione  
Tail piece with seal

Art. 3340



Rosone universale  
Universal front cover for pipe

Art. 9553



Testina termostatica  
Thermostatic head

Art. H9705



Vitone di ricambio  
Spare tap headwork