

Kol. Opis

1 COMFORT 15-14 BDT PM



Paznja! Slika proizvoda se može razlikovati od stvarnog proizvoda

Proizvodni broj: [99812350](#)

The high-efficiency Grundfos COMFORT BDT PM and BXDT PM pumps are designed for recirculation of domestic hot water in single-family and two-family houses securing hot water instantly to all faucets.

The pumps have a corrosion-resistant pump housing suitable for drinking water and are powered by a single-phase, high-efficiency ECM with permanent-magnet rotor.

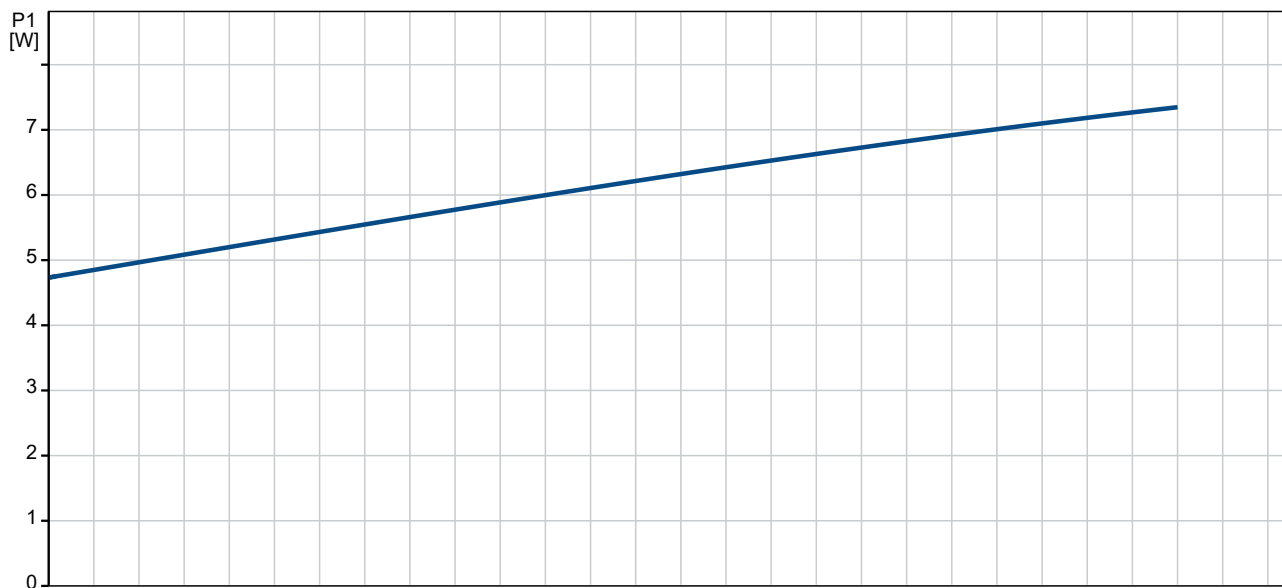
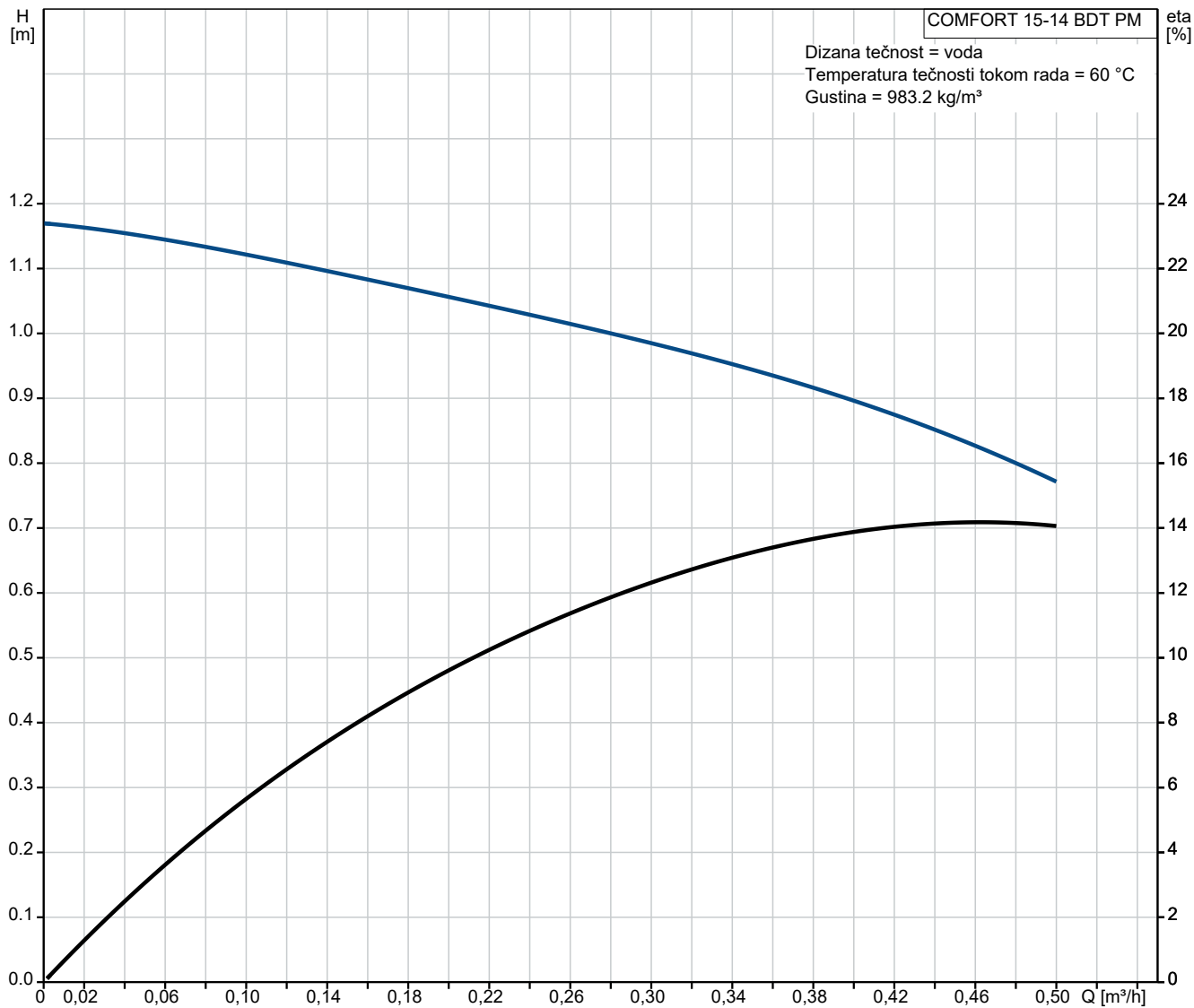
The integrated digital timer has been developed for domestic hot-water recirculation in systems with either hot-water tanks or plate heat exchangers for hot-water production.

The timer allows you to customize the pump's operating periods, ensuring optimal comfort while lowering energy costs.

Additionally, the pump can be set to continuous operation 100 % for commissioning of the pump or 24 hours instant hot water.

COMFORT BXDT PM has a built-in isolating valve and a non-return valve (fitting). This ensures that maintenance can be carried out without draining the system. The non-return valve also prevents reversed flow during operation.

99812350 COMFORT 15-14 BDT PM



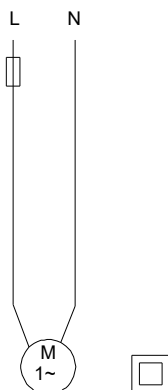
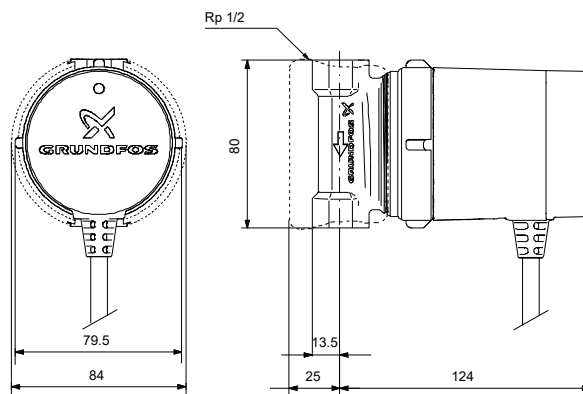
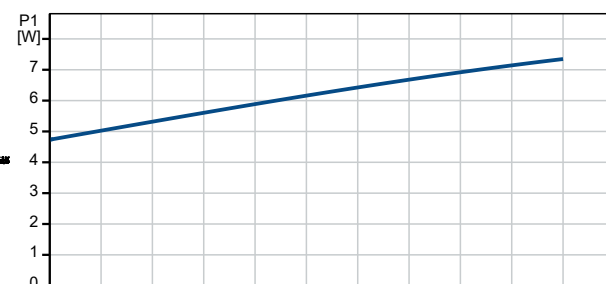
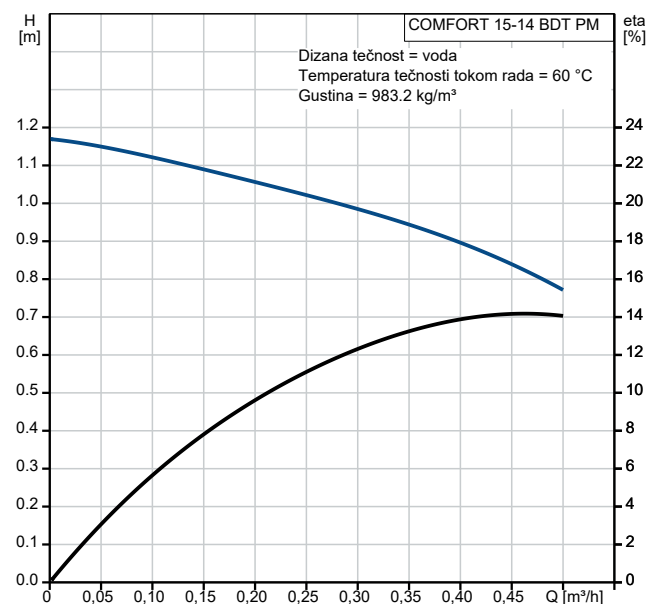
Naziv firme:

Napravio:

Telefon:

Datum: 23.11.2022.

Opis	Vrednost
Opšte informacije:	
Ime proizvoda::	COMFORT 15-14 BDT PM
Šifra proizvoda:	99812350
EAN broj::	5713834634352
Cena:	€ 189.5
Tehnički:	
Broj brzina:	1
Nazivni protok:	0.41 m ³ /h
Rated head:	0.9 m
Maximum head:	14 dm
TF klasa:	95
Approvals:	CE,VDE,EAC,WEEE
Materijali:	
Kućište pumpe:	Mesing
Pump housing:	CuZn39Pb3, MS58
Rotor:	Kompozitni
Radno kolo:	PPO-GF20/Stainless steel
Ugradnja:	
Minimum ambient temperature:	0 °C
Maksimalni radni pritisak:	10 bar
Type of connection:	Rp
Size of connection:	1/2 inch
Pressure rating for connection:	PN 10
Port-to-port length:	80 mm
Tečnost:	
Dizana tečnost:	voda
Raspon temperature tečnosti:	2 .. 95 °C
Selected liquid temperature:	60 °C
Gustina:	983.2 kg/m ³
Elektro podaci:	
Max. ulazna snaga:	7 W
Frekvencija struje:	50 / 60 Hz
Rated voltage:	1 x 230 V
Utrošak struje u brzini 3:	0.07 A
Klasa zaštite (IEC 34-5):	IP44
Insulation class (IEC 85):	F
Built-in motor protection:	ELECT.
Termička zaštita:	Impedansna zaštita
Kontrole:	
Operation mode include:	Tajmer
Ostali:	
Net weight:	0.94 kg
Gross weight:	1.04 kg
Shipping volume:	0.003 m ³
Danski VVS Br.:	380634034
Swedish RSK No.:	5790548
Country of origin:	DE
Custom tariff no.:	84137030



99812350 COMFORT 15-14 BDT PM



Pažnja! Sve jedinice su u [mm] ukoliko nije rečeno drugačije.